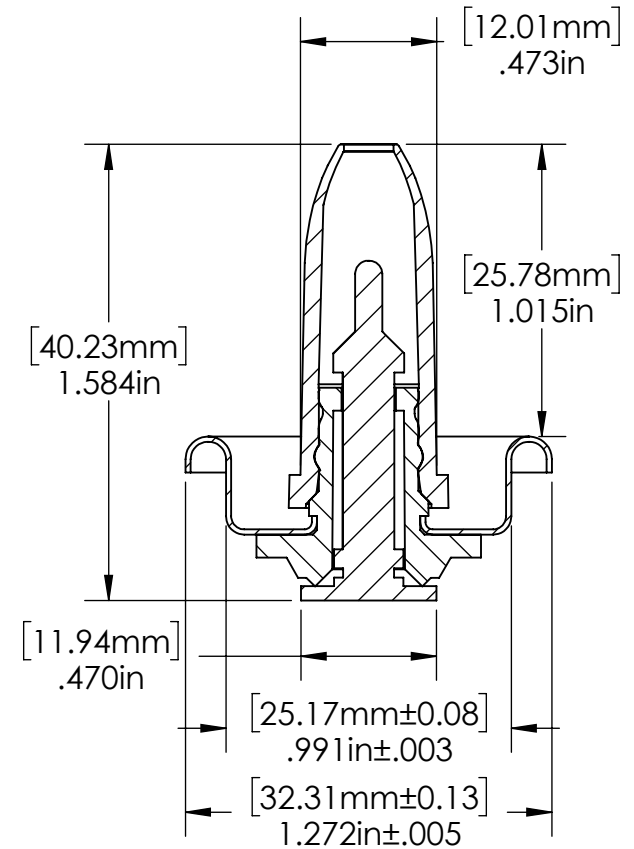
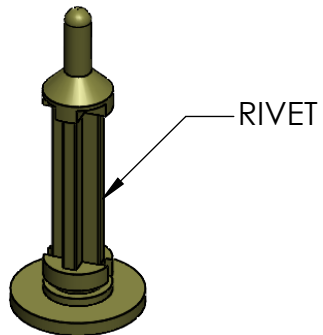
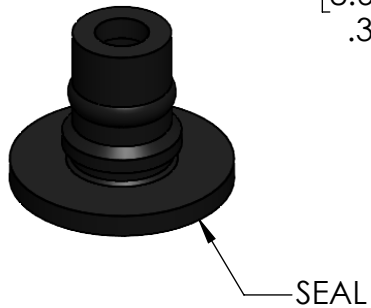
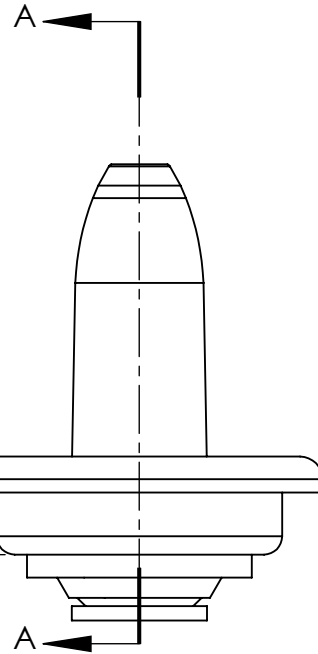


[3.18mm±0.33]  
.125in±.013

[8.64mm±0.25]  
.340in±.010



SECTION A-A

**PROPRIETARY AND CONFIDENTIAL**  
THE INFORMATION CONTAINED IN THIS DRAWING IS THE SOLE PROPERTY OF CLAYTON CORPORATION. ANY REPRODUCTION IN PART OR AS A WHOLE WITHOUT THE WRITTEN PERMISSION OF CLAYTON CORPORATION IS PROHIBITED.



866 HORAN DR.,  
FENTON, MO 63026  
636-349-5333

DRAWN BY: ZC		DATE: 06/26/2023	TITLE: 3606 VALVE	
CHECKED BY:		SIZE: A	PART #: 1001003606	REV:
Tolerances:		DECIMAL INCHES: 0.0 +/- .015" 0.00 +/- .010" 0.000 +/- .005"	MATERIAL:	SCALE: 3:2
ANGULAR: +/- .10 DEG.				SHEET 1 OF 2



866 Horan Drive  
 Fenton, MO 63026 USA  
 1-800-729-8220  
 1-636-349-5333  
 www.claytoncorp.com

**SPECIFICATION SHEET**  
**3606 VALVE**

**Valve Part Number:** 1001003606

**Valve Information:**

Parameter	Information
Food Grade	Yes
Weight†	English: 0.21 oz.; Metric: 5.9 g

**Valve Component Information:**

Component	Appearance	Material	Other Information
Mounting Cup	Silver	Tin Free Steel	Top Coating: PET Coating Bottom Coating: PP Laminate
Rivet	Natural- Ivory	ABS	
Seal	Black	TPE	
Nozzle	White	Olefin Polymer	

**Recommended Crimp Specification (Customer may need to adjust for their specific container):**

Measurement	English	Metric
Diameter	1.070 in. — 1.080 in.	27.18mm — 27.43mm
Depth	0.185 in. — 0.195 in.	4.70mm — 4.95mm

**Gassing Information:** This is a normally open valve. Valve closes after pressurizing container.

**Carton Information:**

Item	English	Metric
Quantity	2,500	2,500
Size	L: 20 in. x W: 11 in. x H: 14 in.	L: 50.8cm x W: 27.9cm x H: 35.6cm
Weight†	35.2 lbs.	16.0 kg

**Pallet Information:**

Item	USA	International
Style	USA	USA
Quantity	80,000 / 100,000	60,000
Size	L: 40 in. x W: 48 in. x H: 62 in. / 76 in.	L: 101.6cm x W: 121.9cm x H: 121.9cm
Weight†	1,167 lbs. / 1,448 lbs.	403 kg

**Valve Warehouse Storage Information:**

Condition	English	Metric
Location	Dry Protected Area	Dry Protected Area
Temperature	40°F — 100°F	4.4°C — 37.8°C
Time	Up to 5 years	Up to 5 years

† Weights are approximates

Approved By: 

Date: 06/27/2023