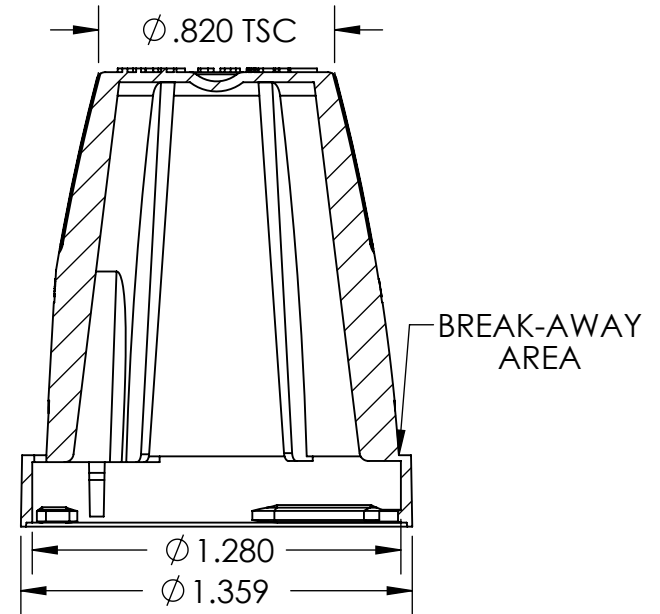
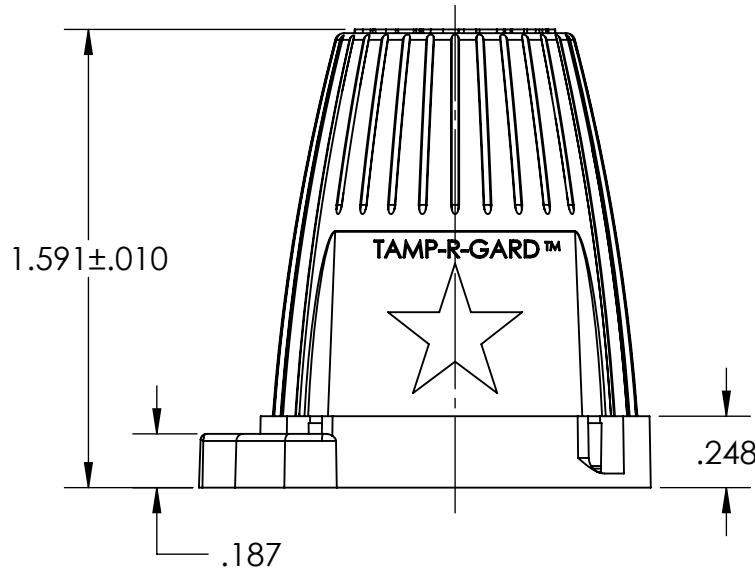
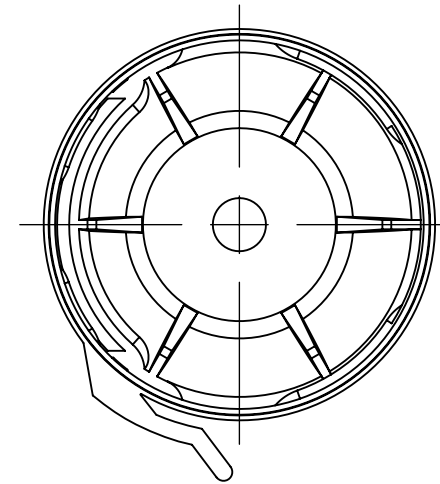
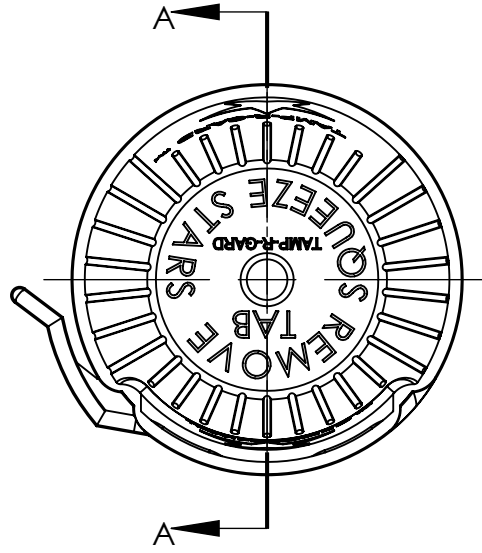


PART NUMBER	COLOR
3001579100	WHITE
3001579105	BROWN
3001579120	RED
3001579170	CYAN
3001579180	PURPLE
3001579185	LT BLUE
3001579195	REFLEX BLUE
3001579201	NATURAL
3001579203	BLACK
3001579204	GREEN
3001579216	PUMPKIN



SECTION A-A

**PROPRIETARY AND CONFIDENTIAL**  
 THE INFORMATION CONTAINED IN THIS DRAWING IS THE SOLE PROPERTY OF CLAYTON CORPORATION. ANY REPRODUCTION IN PART OR AS A WHOLE WITHOUT THE WRITTEN PERMISSION OF CLAYTON CORPORATION IS PROHIBITED.



866 HORAN DR.,  
 FENTON, MO 63026  
 636-349-5333

NAME		DATE	TITLE:	
DRAWN BY:	DGS	2/11/09	Tamp-R-Gard	
CHECKED BY:		2/17/09		
Tolerances:		DECIMAL INCHES: 0.0 +/- .015" 0.00 +/- .010" 0.000 +/- .005"	SIZE	REV P
		ANGULAR: +/- .10 DEG.	A	
			PART #	
			3001579XXX	
			MATERIAL:	SCALE: 3:2
			Olefin Polymer	SHEET 1 OF 2

NOTE:  
 SOME OVALITY MAY OCCUR IN PACKAGING AND SHIPPING. MATERIALS ON ARRIVAL MUST BE IN A CONDITION SUITABLE FOR ASSEMBLY AND PRODUCTION.



866 Horan Drive  
 Fenton, MO 63026 USA  
 1-800-729-8220  
 1-636-349-5333  
 www.claytoncorp.com

**SPECIFICATION SHEET**  
**Tamp-R-Gard**

Cover Part Number: 3001579XXX

**Cover Information:**

Parameter	Information
Food Grade	Yes
Weight†	English: 0.11 oz.; Metric: 3.2 g
Material	Olefin Polymer
Appearance	Variable

**Carton Information:**

Item	English	Metric
Quantity	2,500	2,500
Size	L: 23 in. x W: 15 in. x H: 18 in.	L: 58.4cm x W: 38.1cm x H: 45.7cm
Weight†	20.2 lbs.	9.2 kg

**Pallet Information:**

Item	USA	International
Style	USA	USA
Quantity	50,000	25,000
Size	L: 40 in. x W: 48 in. x H: 78 in.	L: 101.6cm x W: 121.9cm x H: 106.7cm
Weight†	444 lbs.	110 kg

**Warehouse Storage Information:**

Condition	English	Metric
Location	Dry Protected Area	Dry Protected Area
Temperature	40°F — 100°F	4.4°C — 37.8°C
Time	Up to 5 years	Up to 5 years

† Weights are approximates

Approved By: Brennan Fogarty

Date: 10/5/2021