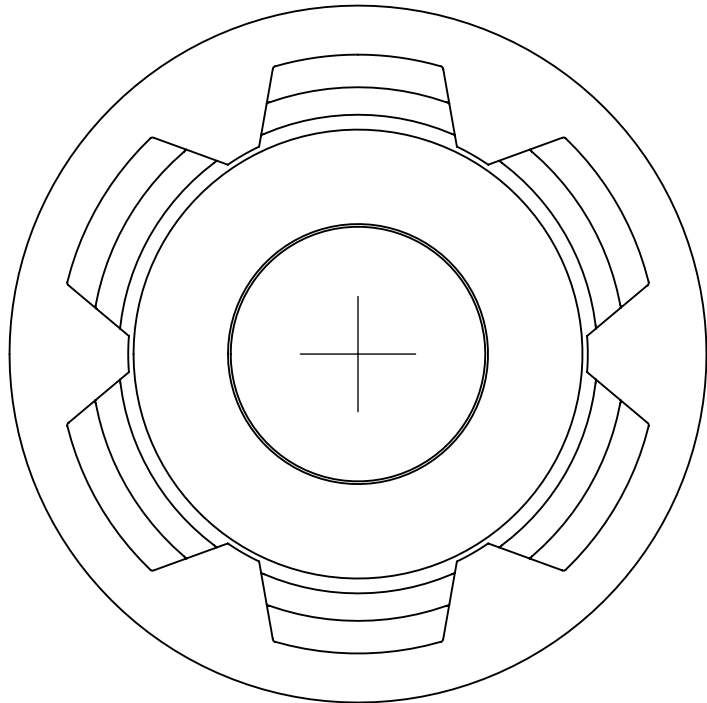


SECTION A-A  
SCALE 3 : 1



**PROPRIETARY AND CONFIDENTIAL**  
THE INFORMATION CONTAINED IN THIS DRAWING IS THE SOLE PROPERTY OF CLAYTON CORPORATION. ANY REPRODUCTION IN PART OR AS A WHOLE WITHOUT THE WRITTEN PERMISSION OF CLAYTON CORPORATION IS PROHIBITED.



866 HORAN DR.,  
FENTON, MO 63026  
636-349-5333

	NAME	DATE
DRAWN BY:	JPM	1-28-08
CHECKED BY:		10-13-09

TITLE: Caulk Lock		REV A
SIZE A	PART # 3003061011	
MATERIAL: Polypropylene Momopolymer -3009001200	SCALE: 2:1	SHEET 2 OF 3

Tolerances:  
DECIMAL INCHES: 0.0 +/- .015"  
0.00 +/- .010"  
0.000 +/- .005"  
ANGULAR: +/- .10 DEG.

REV.	ECO	DESCRIPTION	NAME	DATE
A	-	UPDATED DRAWING FORMAT	BPF	7/14/2020



866 Horan Drive  
Fenton, MO 63026 USA  
1-800-729-8220  
1-636-349-5333  
www.claytoncorp.com

## SPECIFICATION SHEET Caulk Lock

Component Part Number: 3003061011

### Component Information:

Parameter	Information
Food Grade	No
Weight†	English: 0.082 oz.; Metric: 2.33 g
Material	Olefin Polymer
Appearance	White

### Carton Information:

Item	English	Metric
Quantity	2,500	2,500
Size	L: 20 in. x W: 11 in. x H: 14 in.	L: 50.8cm x W: 27.9cm x H: 35.6cm
Weight†	15.3 lbs.	7.0 kg

### Pallet Information:

Item	USA	International
Size	40in. x 48in.	101.6cm x 121.9cm
Style	USA	USA
Quantity	50,000	37,500
Weight†	346 lbs	123 kg

### Warehouse Storage Information:

Condition	English	Metric
Location	Dry Protected Area	Dry Protected Area
Temperature	40°F – 100°F	4.4°C – 37.8°C
Time	Up to 5 years	Up to 5 years

† Weights are approximates

Approved By: Brennan Fogarty Date: 9/9/20