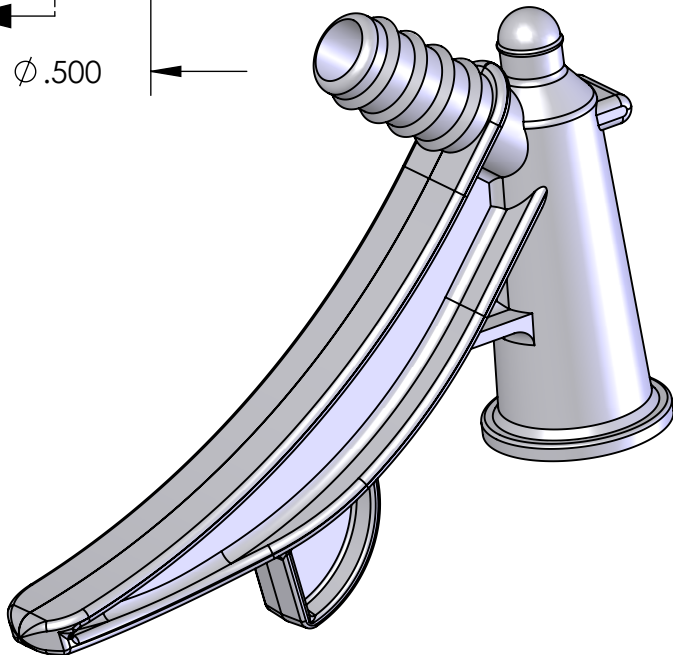


SECTION A-A

Double lead thread  
 .200 Lead .100 Pitch  
 Minor ID .257  
 Major ID .277



**PROPRIETARY AND CONFIDENTIAL**  
 THE INFORMATION CONTAINED IN THIS  
 DRAWING IS THE SOLE PROPERTY OF  
 CLAYTON CORPORATION. ANY  
 REPRODUCTION IN PART OR AS A WHOLE  
 WITHOUT THE WRITTEN PERMISSION OF  
 CLAYTON CORPORATION IS PROHIBITED.



866 HORAN DR.,  
 FENTON, MO 63026  
 636-349-5333

	NAME	DATE	TITLE: AA-9	
DRAWN BY:		7/20/13		
CHECKED BY:				
Tolerances:			SIZE	REV D
DECIMAL INCHES: 0.0 +/- .015"			A	PART #
0.00 +/- .010"				3001200111
0.000 +/- .005"				MATERIAL:
ANGULAR: +/- .10 DEG.				Olefin Polymer
			SCALE: 2:1	SHEET
				1 OF 2



866 Horan Drive  
Fenton, MO 63026 USA  
1-800-729-8220  
1-636-349-5333  
www.claytoncorp.com

## SPECIFICATION SHEET AA-9

Component Part Number: 3001200111

### Component Information:

Parameter	Information
Food Grade	No
Weight†	English: 0.07 oz.; Metric: 1.9 g
Material	Olefin Polymer
Appearance	Reflex Blue

### Carton Information:

Item	English	Metric
Quantity	4,000	4,000
Size	L: 19 in. x W: 12 in. x H: 14 in.	L: 48.3cm x W: 30.5cm x H: 35.6cm
Weight†	19.0 lbs.	8.6 kg

### Pallet Information:

Item	USA	International
Style	USA	USA
Quantity	128,000	96,000
Size	L: 40 in. x W: 48 in. x H: 62 in.	L: 101.6cm x W: 121.9cm x H: 121.9cm
Weight†	649 lbs.	225 kg

### Warehouse Storage Information:

Condition	English	Metric
Location	Dry Protected Area	Dry Protected Area
Temperature	40°F — 100°F	4.4°C — 37.8°C
Time	Up to 5 years	Up to 5 years

† Weights are approximates

Approved By: \_\_\_\_\_

*Brennan Fogarty*

Date: 1/9/2023